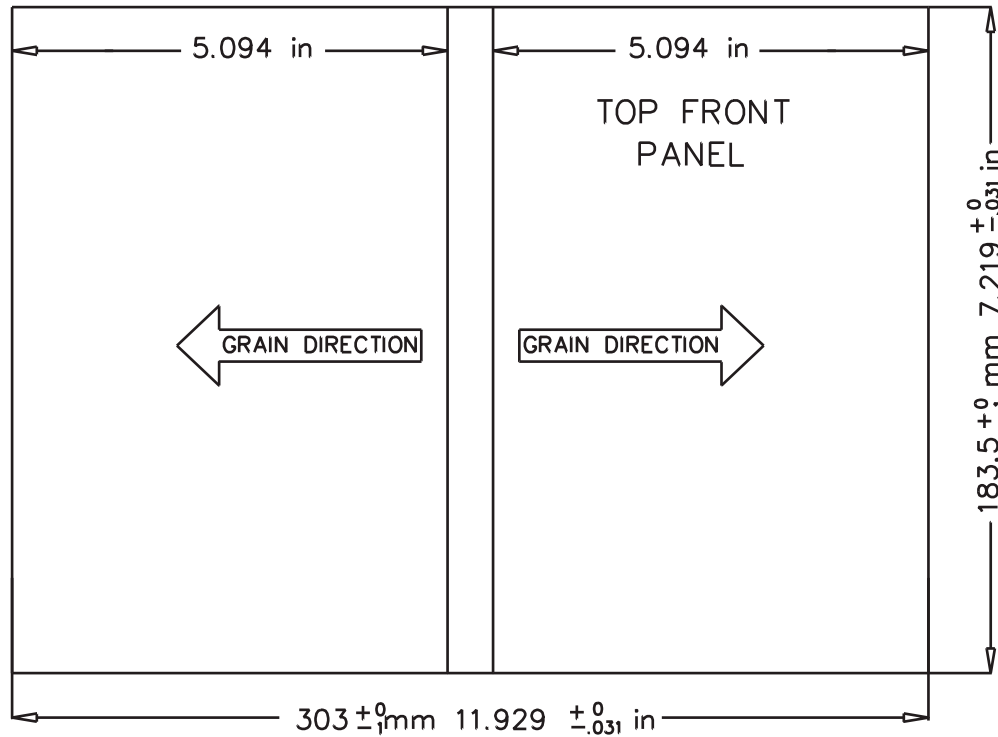


# OUTER SLEEVE / JACKET / OUTSIDE PANEL REQUIREMENTS



PRODUCT	BOX THICKNESS (MM)	NUMBER OF DVD'S	
		MAX.	MIN.
ACE-FOLIO	43	14	1

### PAPER INFORMATION:

#### MATERIAL:

MINIMUM: 115 g/sq m 0.0235 lb/sq ft THICKNESS 0,09-0,10 mm (0.0035-0.0039 in)

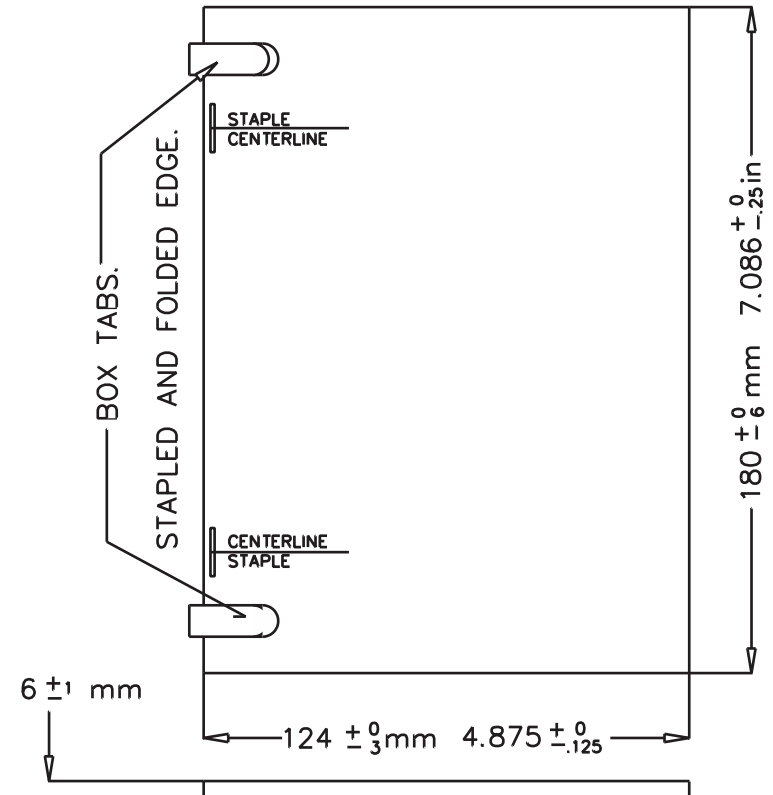
MAXIMUM: 200 g/sq m 0.0408 lb/sq ft Thickness 0,15-0,16mm (0.0059-0.0063 in)

BOTH SHEETS COATED

SCORING IS NOT ACCEPTABLE

PRODUCT MUST BE SUPPLIED FLAT AND FREE OF DIRT AND PAPER DUST.

# STANDARD BOOKLET REQUIREMENTS.



### PAPER INFORMATION:

SINGLE SHEET AND TWO PANEL BOOKLET MUST BE MANUFACTURED FROM 135 g/sq m (0.0276 lb/sq ft)

ANY BOOKLET COMPONENT ARRANGEMENT IS TO UTILIZE 135 g/sq m (0.0275 lb/sq ft) MINIMUM, COATED ON BOTH SIDES FOR BOOKLET COVER SHEET.

THINNER PAPER CAN BE USED FOR THE INNER PAGES, PROVIDED THAT THE OVERALL BOOKLET THICKNESS DOES NOT EXCEED 6 ±1 MM

# acepremiereproducts

DESCRIPTION

OUTER SLEEVE AND BOOKLET SPECIFICATIONS FOR

ACE-FOLIO

DATE: 06-04-04

NOT TO SCALE.

API-110